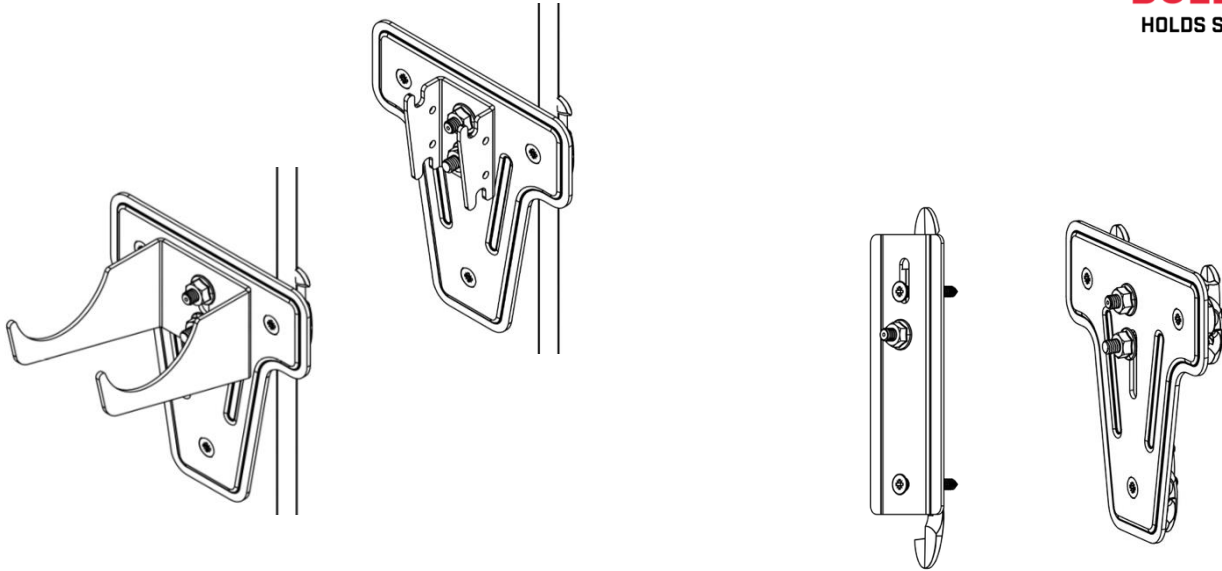


Bullfix Radiator Adaptor Brackets- Data Sheet



| | RAD-SUP-.... | RAD-SUPEX-.... |
|--|---------------------|-----------------------|
| Maximum recommended weight of radiator with water. Cantilever Load @ 60mm from wall (15mm Plasterboard) | 65 Kg | 80 Kg* |
| Maximum recommended weight of radiator with water. Cantilever Load @ 60mm from wall (12.5mm Plasterboard) | 55 Kg | 80 Kg* |
| Minimum Cavity Required | 20mm | 7mm |
| Can be used with insulation backed plasterboard | No | Yes |

** For radiators up to 100 Kg we recommend using Bullfix EXTRA fixings (bought separately)*

1. Maximum recommended loads apply to plasterboard (British Gypsum Gyproc Wallboard) in a dry condition. Please note that variations in board mounting, moisture content, plasterboard brand or physical condition of board can adversely effect load bearing performance. Continuous and repetitive loading / unloading on the fixing will weaken plasterboard.
2. For all maximum recommended loads required safety factors have been considered.
3. Fixing Material - Glass Filled Nylon.
4. Loading assumption is per set of 4 brackets (not per individual bracket)

Pack options come in 2 colours:
Contains 4 brackets and necessary fixings

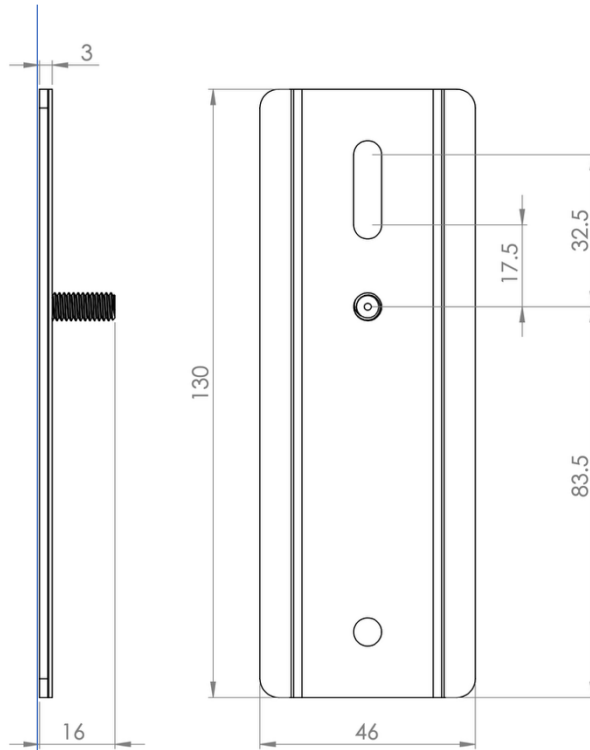
- RAD-SUP-W (White)
- RAD-SUP-A (Anthracite)
- RAD-SUPEX-W (White)
- RAD-SUPEX-A (Anthracite)

Bullfix Radiator Brackets- Data Sheet

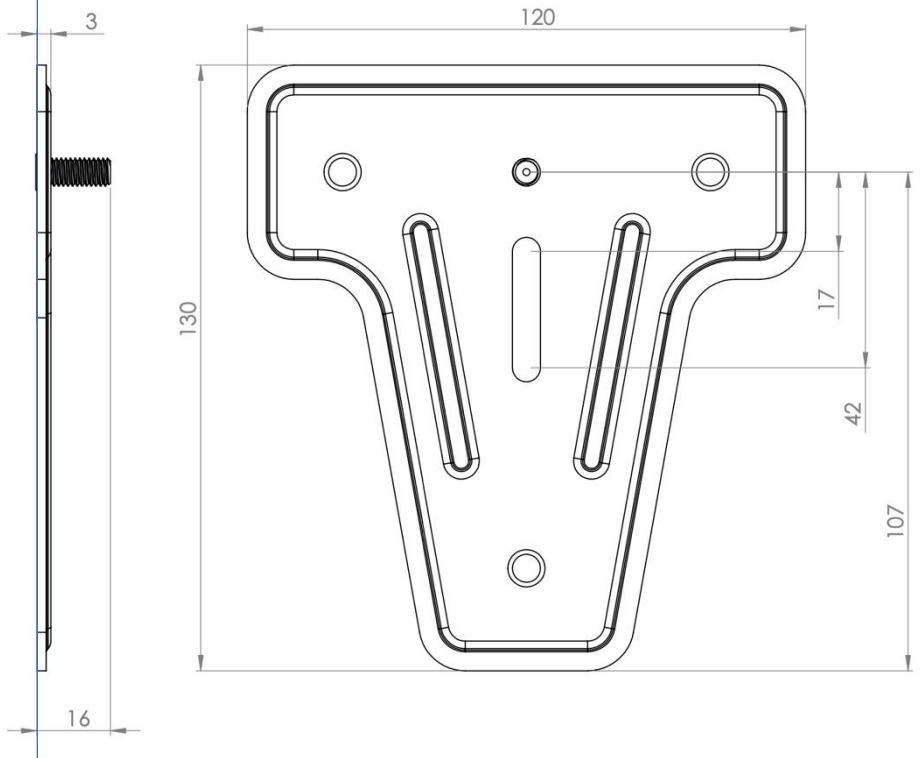
Bracket Dimensions



RAD-SUP-....



RAD-SUPEX-...



Bullfix Radiator Brackets- Data Sheet

Application Advice



Radiator Brackets:

We only recommend mounting items on plasterboard with Bullfix fixings using an appropriate bracket arrangement. The bracket should adhere to the specification shown below.

Dimension "X" is how far the center of gravity is away from the wall

Dimension "Y" is height of vertical engagement with the wall from the top fixing

"Y" must be at least 1.5 times bigger than "X"

